

Basin/Bath/Sink Tap Installation and Maintenance

PLEASE READ THIS INSTRUCTION GUIDE FULLY PRIOR TO COMMENCING ANY PART OF THE INSTALLATION

PRE-INSTALLATION

Installation should only be carried out by a qualified installer
Always check pressure compatibility, check website for min/max pressure of product
All parts of the installation must comply with the relevant Water Regulation requirements
Isolation valves should be fitted to both supply pipes as part of the installation
Always flush pipework prior to connection to the mixer

TURN OFF WATER SUPPLY BEFORE COMMENCING INSTALLATION OF NEW TAP



GUARANTEE

Check website for individual product guarantee's

Some parts of the product ie valve are covered by a 12 month guarantee

See our website T & C's for details

Your guarantee can be invalid if the pre-installation checks are not carried out, installation is not carried out as per this guide and correct maintenance instructions are not followed.

INSTALLATION

(HOT supply to left / COLD supply to right)

- 1) Remove back nuts and washers if fitted to tap when received
- 2) Place base plates if provided, onto tap tails
- 3) Place tap tails through holes in bath/basin
- 4) From underneath the bath/basin fit washers and back nuts and tighten into position
- 5) Connect to water supply, making a watertight seal
- 6) Turn on water supply and check for leaks

CLEANING

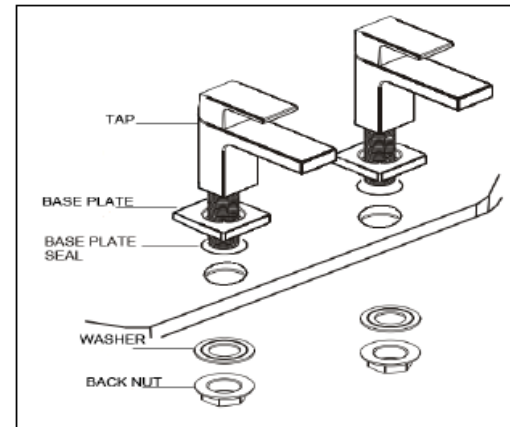
No harsh chemicals should come into contact with any part of the product, no abrasive materials can be used to maintain the surface, use a damp cloth to wipe and dry cloth to polish.
Any splashes or spills must be rinsed and wiped dry immediately.
Use of any abrasives or chemicals will invalidate your guarantee



MIXER ISSUE

Tap drips after being turned off

Poor flow



DIAGNOSIS

Draining / Due to the design of some tap spouts, water will be held and drip until emptied.
Debris inside valve / Remove valve and flush under running water whilst turning the spindle

Insufficient water pressure / Increase water pressure possibly installing a pump.
System pressure should have been confirmed as meeting minimum requirement pre-installation.
Blockage / Check water is reaching the tap, check valve, tap tails and supply pipes.
Isolation valves not fully opened.

See over page for valve removal advice

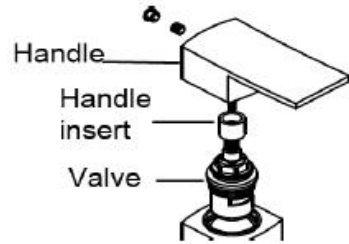
Basin/Bath/Sink Tap Installation and Maintenance

PLEASE READ THIS INSTRUCTION GUIDE FULLY PRIOR TO COMMENCING ANY PART OF THE INSTALLATION

POST-INSTALLATION

To Remove Valve

TURN OFF WATER SUPPLY TO MIXER



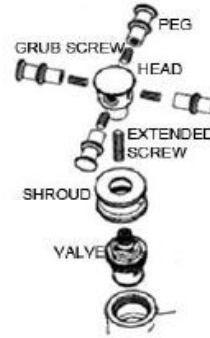
- > Remove screw cap cover
(This could be at front or back of handle)
- > Loosen grub screw using hex key
- > Pull handle from tap
- > Remove insert (If included in your product)
- > Using a spanner remove valve
- > Carry out maintenance
- > Replace valve and tighten
- > Replace all components

Design may vary from that shown

POST-INSTALLATION

To Remove Valve

TURN OFF WATER SUPPLY TO MIXER

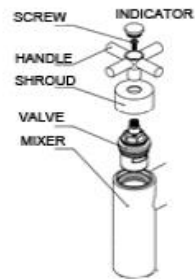


- > Unscrew all handle pegs
- > Remove grub screws using hex key
- > Pull head section from tap
- > Remove extended screw
- > Unscrew shroud
- > Using a spanner remove valve
- > Carry out maintenance
- > Replace valve and tighten
- > Replace all components

Design may vary from that shown

To Remove Valve

TURN OFF WATER SUPPLY TO MIXER

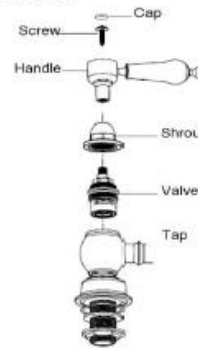


- > Remove H or C indicator
- > Using a screwdriver remove handle screw
- > Pull handle from tap
- > Unscrew shroud
- > Using a spanner remove valve
- > Carry out maintenance
- > Replace valve and tighten
- > Replace all components

Design may vary from that shown

To Remove Valve

TURN OFF WATER SUPPLY TO MIXER



- > Remove H or C indicator
- > Using a screwdriver remove handle screw
- > Pull handle from tap
- > Unscrew shroud
- > Using a spanner remove valve
- > Carry out maintenance
- > Replace valve and tighten
- > Replace all components

Design may vary from that shown

Visit Our Website For Assistance

www.betterbathrooms.com

Please retain this document for future reference.